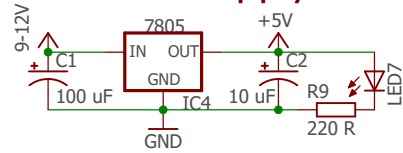
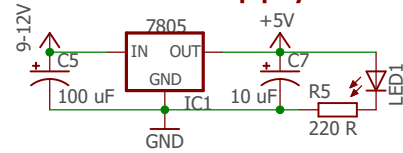


<http://blog.bm-es.com/2017/11/08/diy-wireless-water-level-alarm-rf-434-mhz/>

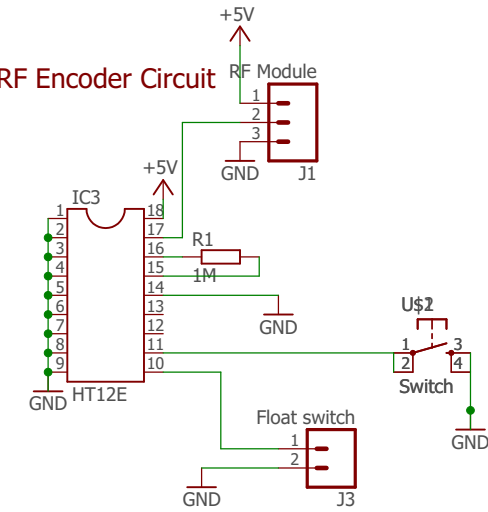
Power Supply



Power Supply



RF Encoder Circuit



RF Decoder Circuit

